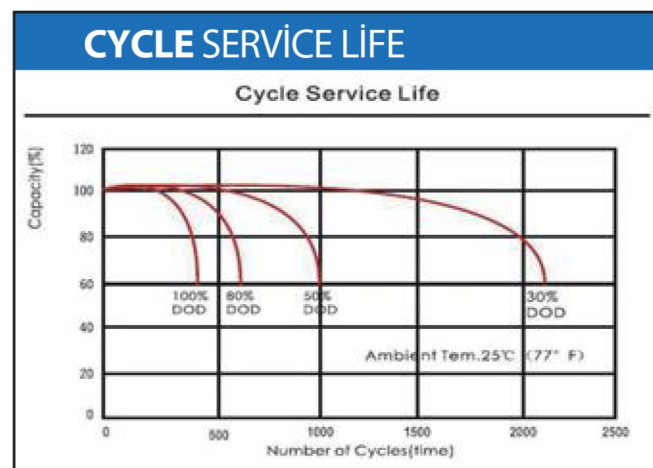
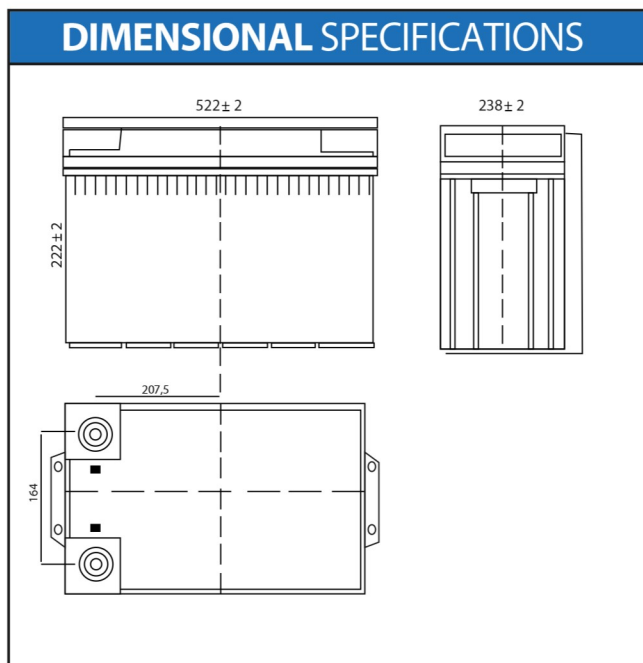


SPECIFICATIONS		
Nominal Voltage	12V	
Capacity	20 hour rate (10.5V/cell, 25°C/77°F)	200Ah
	5 hour rate (10.2V/cell, 25°C/77°F)	156Ah
	1 hour rate (9.6V/cell, 25°C/77°F)	116Ah
Internal Resistance	Full charged at 25 C Approx 3.3m	
Capacity affected by Temperature (10 hour)	40°C	103%
	25°C	100%
	0°C	88%
	-15°C	70%
Self-Discharge (25°C)	3 month	Remaining Capacity:94%
	6 month	Remaining Capacity:88%
	12 month	Remaining Capacity:75%
Operating temperature range	Discharge	-15°C~-55°C(5°F~-131°F)
	Charge	-10°C~-55°C(14°F~-131°F)
	Storage	-20°C~-55°C(-4°F~-131°F)
Maximum charging current	40A	
Maximum discharge current	1600A (5 sec.)	
Designed floating life (20°C)	15 years	
Charging Voltage 25°C (77°F)	Cycle	14.10 to 14.40V Temperature Compensation: -30mV/°C
	Float	13.50 to 13.80V Temperature Compensation: -18mV/°C



Product Page;

